

C.W.L. :Continuous running Water Level
L.W.L. :Lowest running Water Level

DIMENSIONS:USCS(Inch)

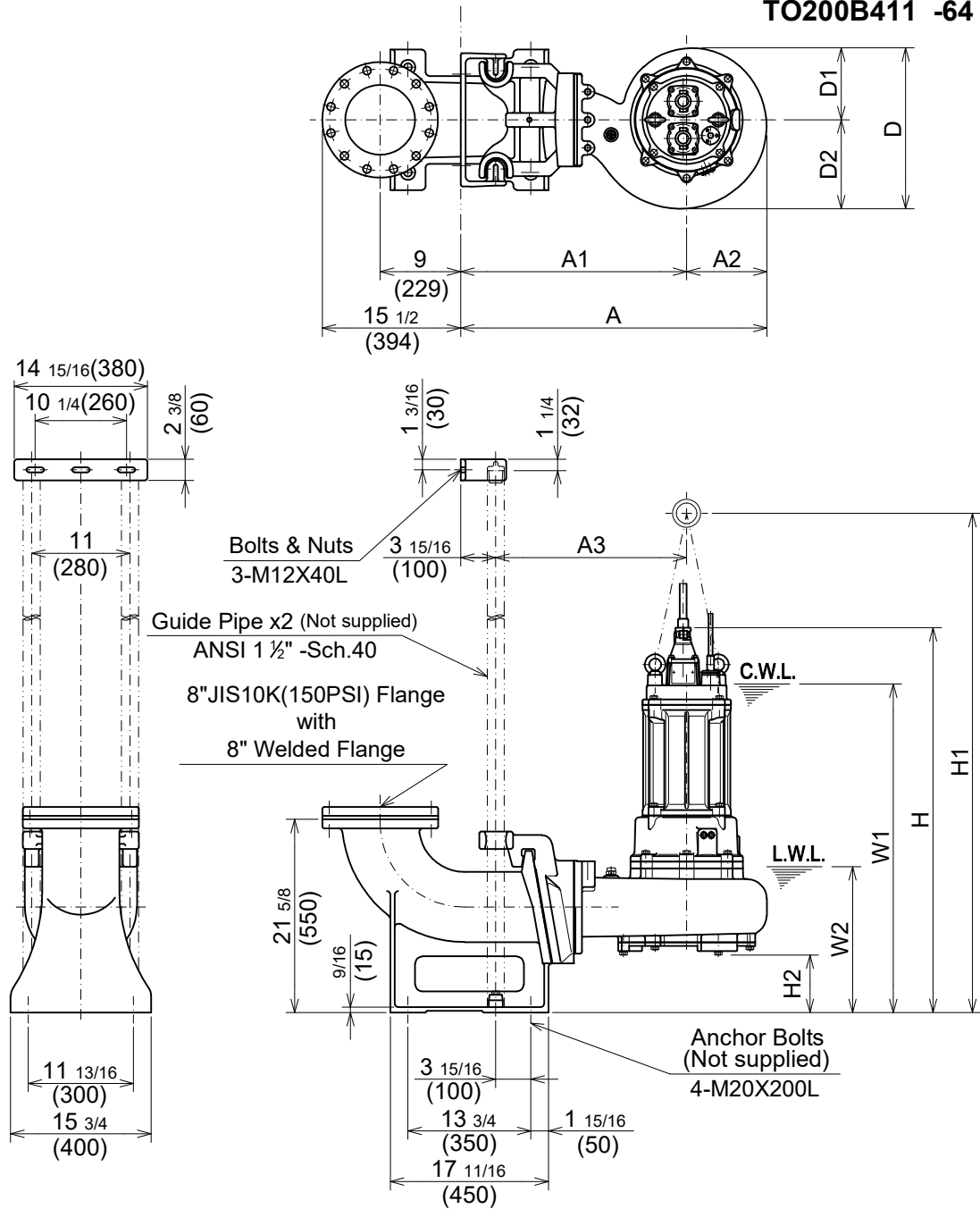
Model	HP	NOM. SIZE	Pump & Motor								C.W.L.	L.W.L.	*Wt. (lbs.)	
			A	A1	A2	A3	B	D	D1	D2				H
200B411 -64	15	8"	36 7/16	21	9	12 5/8	21 7/16	19 1/8	9 1/8	10	44 1/2	38 1/4	17 3/4	570

DIMENSIONS:METRIC(mm)

Model	kW	NOM. SIZE	Pump & Motor								C.W.L.	L.W.L.	*Wt. (kg)	
			A	A1	A2	A3	B	D	D1	D2				H
200B411 -64	11	200	926	533	228	320	545	486	232	254	1131	970	450	258

*Excluding Cable

TO200B411 -64



C.W.L. :Continuous running Water Level
L.W.L. :Lowest running Water Level

DIMENSIONS:USCS(Inch)

Model	HP	NOM. SIZE	Pump & Motor									C.W.L.	L.W.L.	*Wt. (lbs.)	
			A	A1	A2	A3	D	D1	D2	H	H1				H2
TO200B411 -64	15	8"	34 5/16	25 3/8	9	21 7/16	18 1/16	8 1/16	10	43 1/8	56 1/8	6 7/16	37	16 1/2	580

*Excluding Cable

DIMENSIONS:METRIC(mm)

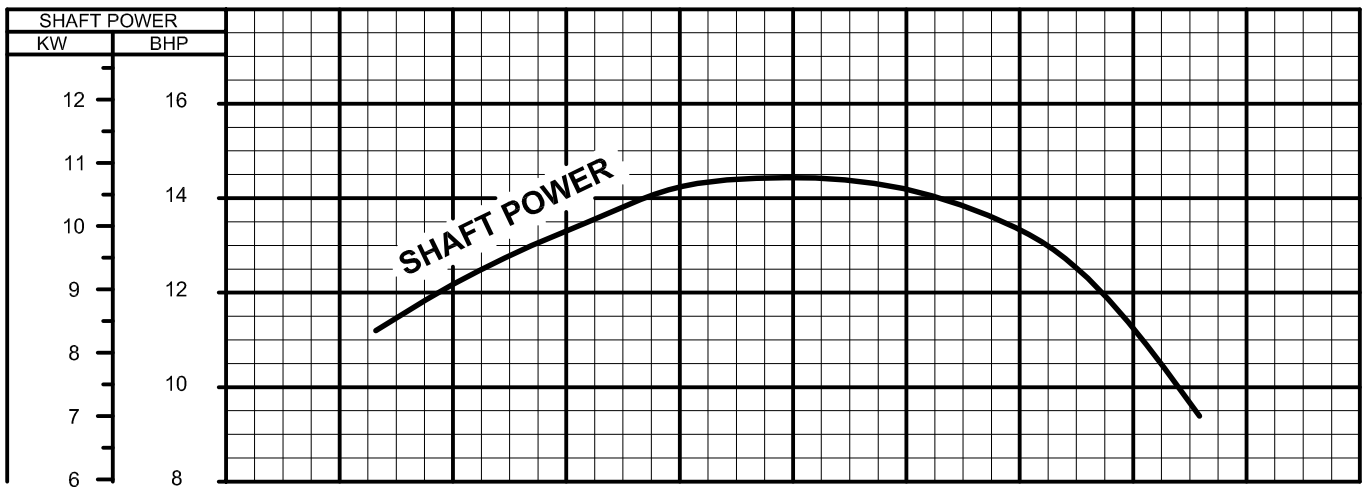
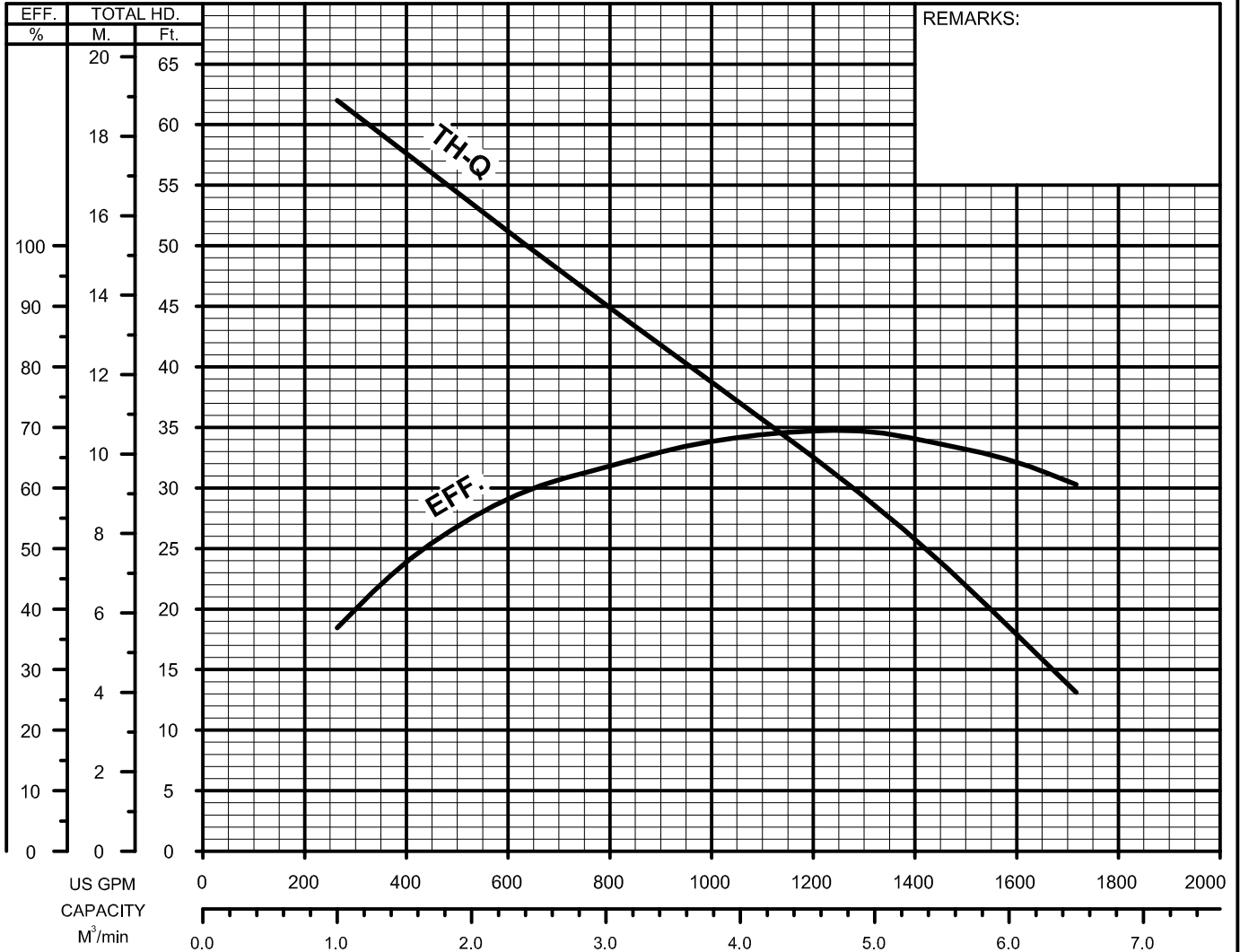
Model	kW	NOM. SIZE	Pump & Motor									C.W.L.	L.W.L.	*Wt. (kg)	
			A	A1	A2	A3	D	D1	D2	H	H1				H2
TO200B411 -64	11	200	872	644	228	544	459	205	254	1096	1427	164	940	420	263

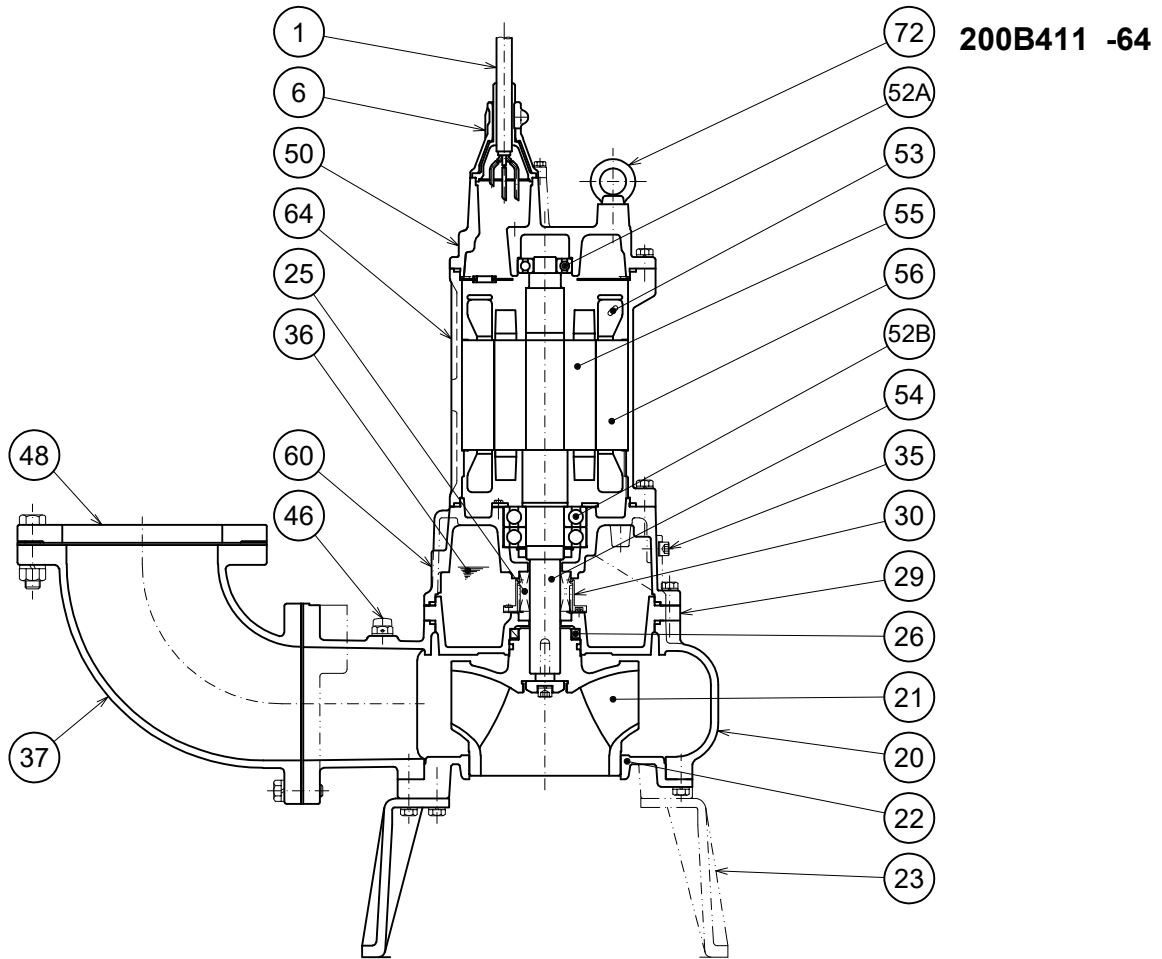


B-SERIES
SEWAGE & WASTEWATER PUMPS

PERFORMANCE
CURVE

MODEL	BORE	HP	KW	RPM	SOLIDS DIA.	LIQUID	SG.	VISCOSITY	TEMP.
(TO)200B411 -64	8"/200mm	15	11	1733	2.28"/58mm	Water	1.0	1.123cSt.	60°F
PUMP TYPE	PHASE	VOLTAGE	AMPERAGE	HZ	STARTING METHOD	INS.CLASS			
Sewage&Wastewater	3	208-230/460/575	42.2-39.2 / 19.5 / 15.7	60	Star-Delta	F			
CURVE No.	DATE	PHASE	VOLTAGE	AMPERAGE	HZ	STARTING METHOD	INS.CLASS		
-	-	-	-	-	-	-	-		





PART#	DESCRIPTION	MAIN MATERIAL / NOTE	RELATED ASTM,AISI CODE	RELATED EN CODE	QTY
1	Power Cable	Chloroprene Sheath AWG 12/4-32ft			1
	Power Cable	Chloroprene Sheath AWG 12/3-32ft			1
	Control Cable	Chloroprene Sheath AWG 16/2-32ft			1
6	Stuffing Box	Cast Iron	A48M Class30B	EN 1561 GJL-200	2
20	Pump Casing	Cast Iron	A48M Class30B	EN 1561 GJL-200	1
21	Impeller	Cast Iron	A48M Class30B	EN 1561 GJL-200	1
22	Suction Cover	Cast Iron	A48M Class30B	EN 1561 GJL-200	1
23	Pump Stand	Ductile Cast Iron	A536 65-45-12	EN 1563 GJS-450-10	3
25	Mechanical Seal	Silicon Carbide / H-40			1
26	Oil Seal	NBR / TC709212			1
29	Oil Casing	Cast Iron	A48M Class30B	EN 1561 GJL-200	1
30	Oil Lifter	PBT Resin W/GF40			1
35	Oil Plug	Stainless Steel	S 30400	1.4301	2
36	Lubricant	Turbine Oil ISO VG32 or SAE 10W-20			
37	Discharge Bend	Cast Iron	A48M Class30B	EN 1561 GJL-200	1
46	Air Release Valve	Nylon			1
48	Welded Flange	Steel / 8"	A283 Grade D	EN 10025 S275	1
50	Motor Bracket	Cast Iron	A48M Class30B	EN 1561 GJL-200	1
52A	Upper Bearing	AC-#6306ZZC3			1
52B	Lower Bearing	#6310ZZD2C3			1
53	Motor Protector				3
54	Shaft	Stainless Steel	S 42000	1.4028	1
55	Rotor				1
56	Stator				1
60	Bearing Housing	Cast Iron	A48M Class30B	EN 1561 GJL-200	1
64	Motor Housing	Cast Iron	A48M Class30B	EN 1561 GJL-200	1
72	Lifting Lug Bolt	Steel	A283 Grade D	EN 10025 S275	2

PARTS LIST		SEWAGE & WASTEWATER PUMPS			10/17/2016	
ITEM	PART No.	DESCRIPTION	QTY	SIZE	MATERIAL	NOTES
1	009-127-14	Terminal	2	R-1.25-4	CU	
2	140-018-11	Hex.Bolt	3	M5x15	SUS304	
3	142-422-18	Seal Washer	3	PM-5	SUS+NBR	
4	003-111-20	Gland	1		SUS304	
5	001-890-24	Cabtyre Cable Set (32') 60Hz	1	2PNCT2Cx1.25mm2	BE/CE	
6	009-274-17	Compression type Terminal	2	TMNB-2(Insulated)		
7	009-131-11	Terminal	7	R-5.5-6	CU	
8	140-055-10	Hex.Bolt	8	M8x25	SUS304	
9	142-163-18	Spring Washer	8	M8	SUS304	
10	070-107-18	Cable Clamp	2		FC	
11	140-035-14	Hex.Bolt	4	M6x20	SUS304	
12	006-126-14	Stuffing Box	2	No.2	FC	
13	001-937-24	Cabtyre Cable Set (32') 60Hz	1	2PNCT3Cx3.5mm2	KR-2	
14	008-154-17	Mould Cover 60Hz	1	KR2-10	CR	
15	009-275-18	Compression type Terminal 60Hz	6	TGNB-5.5(Insulated)	CU	
16	001-315-20	Cabtyre Cable Set (32') 60Hz	1	2PNCT4Cx3.5mm2	KR-2	
17	008-142-12	Mould Cover 60Hz	1	KR2-7	CR	
18	143-085-21	Pan Screw (w/Spring Washer)	1	M4x6	SWRM	
19	009-122-19	Terminal	1	R-3.5-4	CU	
20	072-107-14	Eye Bolt	2	M16	SS	
	142-399-15	Washer		d17xd29x0.1t	SUS304	
	142-400-10	Washer		d17xd29x0.3t	SUS304	
21	140-098-15	Hex.Bolt	4	M12x35	SUS304	
22	142-165-10	Spring Washer	4	M12	SUS304	
23	050-000-80	Motor Bracket	1		FC	
24	122-173-19	O-Ring	1	V-225(222.5xd6)	NBR	*
25	142-000-08	Wave Washer	1	6306B(d71xd59x4.0t)	SK5	
26	052-000-25	Bearing (w/O-ring)	1	AC-6306ZZC3		
27	058-000-09	Lead Wire Protection Plate	1	d86xd224x1.6t	SPHC	
28	055-000-69	Rotor	1Set			
29	147-011-15	Impeller Key	1	12x8x40	SUS420	
30	053-310-13	Motor Protector	3	9700K-76-215	(H)	
31	056-B91-15	Stator 220V-60Hz	1Set			
	056-B92-16	Stator 460V-60Hz	1Set			
32	064-000-12	Motor Frame	1		FC	
33	140-100-11	Hex.Bolt	4	M12x45	SUS304	
34	142-165-10	Spring Washer	4	M12	SUS304	
35	122-173-19	O-Ring	1	V-225(222.5xd6)	NBR	*
36	140-032-37	Hex.Bolt	3	M6x15	SWRM	

* Indicates items included in set

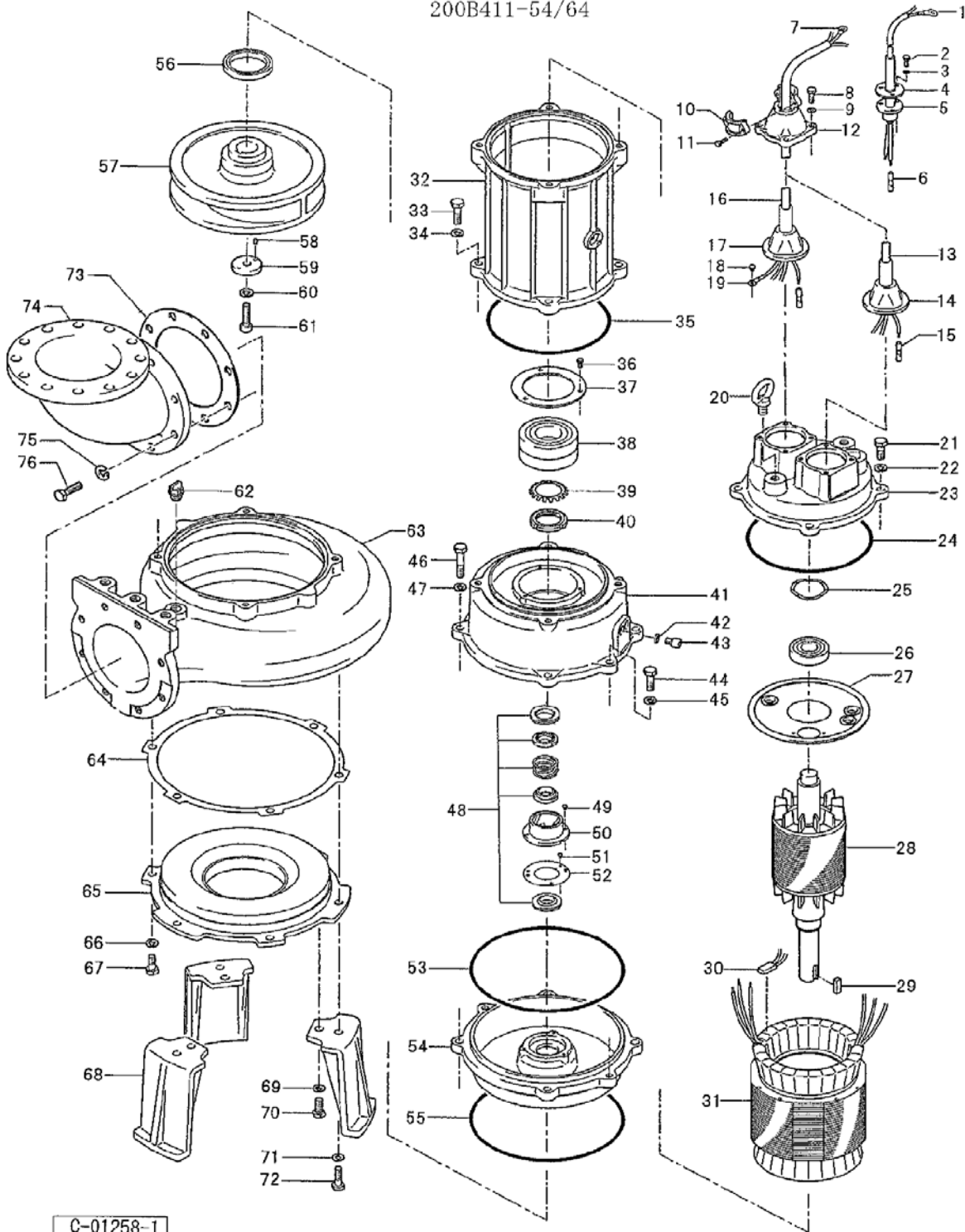
PARTS LIST		SEWAGE & WASTEWATER PUMPS			10/17/2016	
ITEM	PART No.	DESCRIPTION	QTY	SIZE	MATERIAL	NOTES
37	062-224-17	Bearing Fixing Plate	1	d98xd140x4.5t	SS	
38	052-141-18	Bearing	1Set	6310ZZD2C3		
39	142-000-09	Bearing Washer	1	50x61x74x1.2t	SUS	
40	141-000-03	Bearing Nut	1	70x2.5x11	SUS304	
41	060-431-13	Bearing Housing	1		FC	
42	121-247-12	Packing	2	d12.3xd18x2t	PE	*
43	035-113-18	Oil Plug	2	M12x14	SUS304	
44	140-099-16	Hex.Bolt	2	M12x40	SUS304	
45	142-165-10	Spring Washer	2	M12	SUS304	
46	140-104-15	Hex.Bolt	4	M12x65	SUS304	
47	142-165-10	Spring Washer	4	M12	SUS304	
48	025-000-38	Mechanical Seal	1	H-40	SiC	
49	143-070-23	Pan Screw	2	M5x6	SWRM	
50	030-141-10	Oil Lifter	1	H-40(T)	Resin	
51	143-070-10	Pan Screw	3	M5x6	SWRM	
52	030-149-18	Seal Stopper	1	H-40/45	SPCC	
53	122-159-19	O-Ring	1	G-280(279.3xd5.7)	NBR	*
54	029-191-11	Oil Casing	1	110-CE2	FC	
55	122-159-19	O-Ring	1	G-280(279.3xd5.7)	NBR	*
56	026-117-14	Oil Seal	1	TC-709212	NBR	
57	021-833-18	Impeller (50Hz)	1	200B411-54	FC	50Hz Option
57	021-834-19	Impeller (60Hz)	1	200B411-64	FC	
58	144-530-16	Hex.Socket Set Screw	2	M6x15	SUS304	
59	142-202-10	Impeller Fixing Washer	1	d13xd50x15t	SUS304	
60	142-000-22	Spring Washer	1	M12(CP)	SUS304	
61	140-304-17	Hex.Socket Cap Bolt	1	M12x45	SUS304	
62	046-107-13	Air Release Valve	1	PT-1/2	Nylon	
63	020-689-14	Pump Casing	1	200-11-4B3	FC	
64	120-173-13	Packing (S.Cover)		d321xd348x0.5t	PE	
65	022-536-11	Suction Cover	1	200-11-4B2	FC	
66	142-165-10	Spring Washer	3	M12	SUS304	
67	140-097-14	Hex.Bolt	3	M12x30	SUS304	
68	023-289-19	Pump Stand	3	200-11-4B2	FCD	
69	142-165-10	Spring Washer	3	M12	SUS304	
70	140-097-14	Hex.Bolt	3	M12x30	SUS304	
71	142-165-10	Spring Washer	3	M12	SUS304	
72	140-103-14	Hex.Bolt	3	M12x60	SUS304	
73	121-165-28	Packing	1	JIS5Kx150mm	NR	
74	037-166-12	Discharge Bend	1	150x200mm	FC	

PARTS LIST		SEWAGE & WASTEWATER PUMPS			10/17/2016	
ITEM	PART No.	DESCRIPTION	QTY	SIZE	MATERIAL	NOTES
75	142-166-11	Spring Washer	8	M16	SUS304	
76	140-127-14	Hex.Bolt	8	M16x55	SUS304	
		Guide Rail Fitting				
66	142-165-10	Spring Washer	3	M12	SUS304	
67	140-099-16	Hex.Bolt	3	M12x40	SUS304	
	099-000-06	Guide Hook	1	TO-150x200	FCD	
	140-318-14	Hex.Socket Cap Bolt	8	M16x45	SUS304	
	121-165-28	Packing	1	JIS5Kx150mm	NR	
	091-108-14	Duck Foot Bend(JIS10K)	1	TO-200	FC	
	094-109-14	Guide Support	1	TO-150/250	FCD	
	140-099-16	Hex.Bolt	3	M12x40	SUS304	
	141-007-49	Hex.Nut	3	M12(H=7)	SUS304	
	142-129-12	Plain Washer	3	M12	SUS304	
	096-103-14	Guide Connector	2	40mm	SS	
	140-101-12	Hex.Bolt	2	M12x50	SUS304	
	142-165-10	Spring Washer	2	M12	SUS304	
	173-001-16	Packing O-Ring Set	1Set	(Marked by *)		
24	122-173-19	O-Ring (M.Bracket/M.Frame)	1	V-225(222.5xd6)	NBR	*
35	122-173-19	O-Ring (M.Frame/Brq.Housing)	1	V-225(222.5xd6)	NBR	*
42	121-247-12	Packing (Oil Plug)	2	d12.3xd18x2t	PE	*
53	122-159-19	O-Ring (Brq.Housing/O.Casing)	1	G-280(279.3xd5.7)	NBR	*
55	122-159-19	O-Ring (O.Casing/P.Casing)	1	G-280(279.3xd5.7)	NBR	*
		Lubricant		Turbine Oil VG32 6.400ml		
	095-000-35	Chain	1	9mmx2(10L)	SS	
	011-000-16	Shackle	2	12mm	SS	
	095-176-28	Chain	1	9mmx5m	SS	
	011-000-16	Shackle	1	12mm	SS	
	183-013-19	Impeller Puller	1	BE No.13 2"	SGPSS	

PARTS LIST		SEWAGE & WASTEWATER PUMPS				10/17/2016
ITEM	PART No.	DESCRIPTION	QTY	SIZE	MATERIAL	NOTES

EXPLODED VIEW

200B411-54/64



C-01258-1